

## HELICAL LIGHT POLES

### ADVANTAGES TO LIGHT POLE FOUNDATIONS:

- ✓ Economic
- ✓ Quick Installation
- ✓ No Vibration Installation
- ✓ No Concrete Cure Time
- ✓ All Weather Installation
- ✓ Permanent or Temporary Applications

With Chance Precast Concrete Collars, all it takes is installing the base and simply dropping the collar on

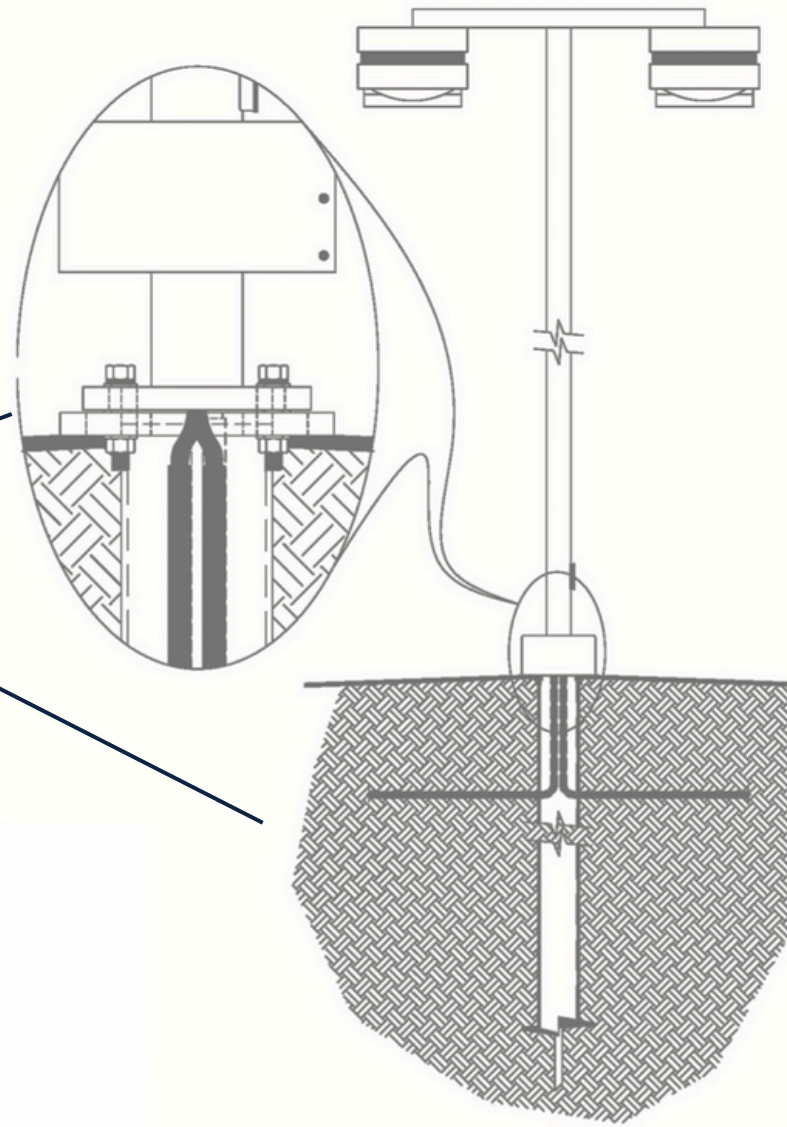
- One trip to the job site
- One Manufacturer
- One Simply Solution



These Lighting applications include street, roadway, parking lot, signage, sports lighting, airport, decorative, and various architectural uses. These foundation products are designed to resist both lateral forces and overturning moments from wind loads.

Variable base plate design to accommodate various bolt circle poles

Ground lug hole - no ground rod needed



## OTHER ADVANTAGES:

- No Spoils Created
- Environmentally Friendly
- Immediate Loading Capabilities
- Made in the USA

